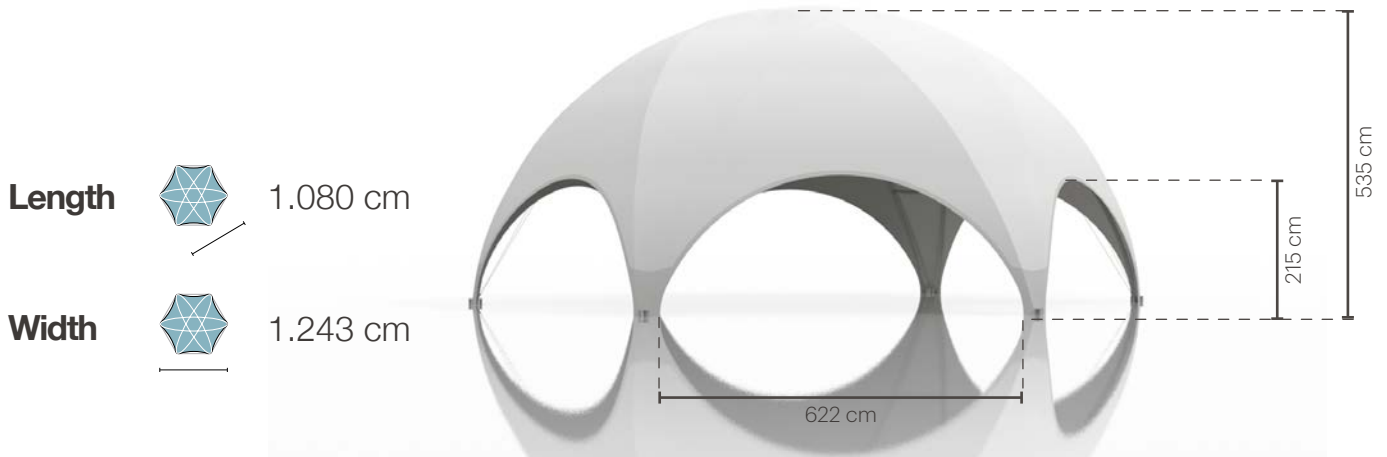


# PRODUCTSHEET

# HEXADOME Medium 100m<sup>2</sup>

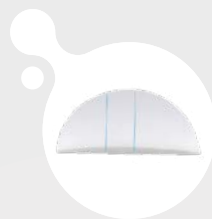
## Structure dimensions



## Side panels



Sidewall



Sidewall with door



Sidewall with window



Sidewall with window and door

## Materials

### STRUCTURE MATERIALS

Structure	6082T6 Alloy
Couplings	Galvanized steel
Cables	Stainless steel 316

### COVER MATERIALS

#### Mehler Airtex® magic 350 grams/m<sup>2</sup>

California T19 M2/B1 certification  
Cold resistance -20 °C  
High temperature +70°C

Contours and corners are made of PVC

#### Ferrari Stam 6002 630 grams/m<sup>2</sup>

California T19 M2/B1 certification  
Cold resistance -30°C  
High temperature +70°C

Contours and corners are made of Ferrari Stam



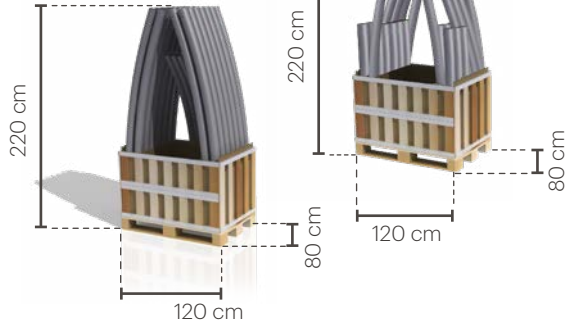
# PRODUCTSHEET

## HEXADOME Medium 100m<sup>2</sup>

### Transport Dimensions & Weights

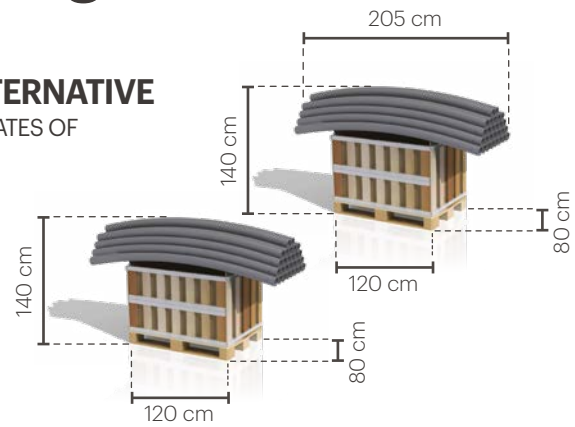
#### STANDARD

2 CRATES OF



#### ALTERNATIVE

2 CRATES OF



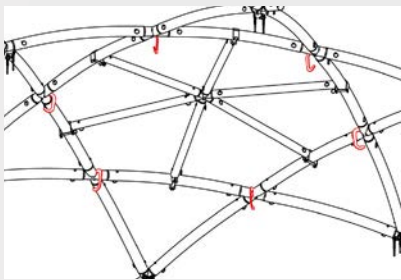
Structure packed standard (excl cover)  
Structure packed alternative (excl cover)

120 x 80 x 220 cm  
205 x 80 x 140 cm

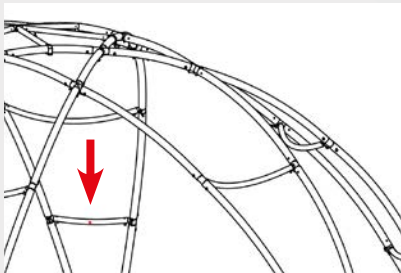
673,0 Kilo  
673,0 Kilo

Cover in Airtex	100 x 80 x 50 cm	63,0 Kilo
Sidewall in Airtex	60 x 40 x 10 cm	5,2 Kilo
Sidewall with windows in Airtex	60 x 40 x 10 cm	7,4 Kilo
Connection gutter M in Airtex	30 x 45 x 10 cm	2,4 Kilo
Connection gutter M/L in Airtex	55 x 55 x 8 cm	8 Kilo
Ground pin	130 x 3,5 ø cm	10,0 Kilo
Ballast plate	100 x 100 x 9,5 cm	± 50,0 Kilo

### Mounting



Mount up to 600 kilo in total by using the hooks

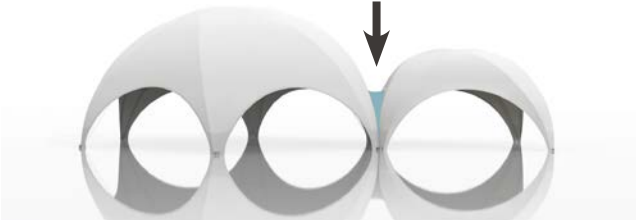


M10 screw insert in lower sub profile for mounting lights, music, tv and heating

# HEXADOME Medium 100m<sup>2</sup>

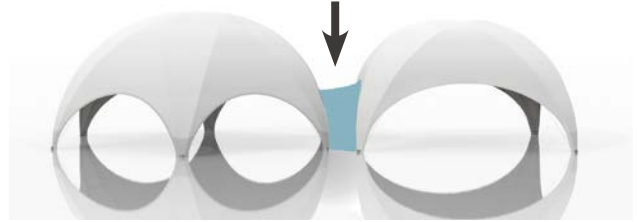
## Gutters

Gutters Medium to medium



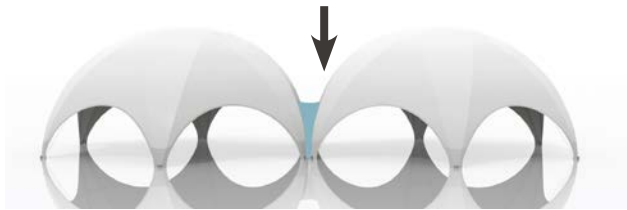
Connect Hexadome Medium with Crossover Medium

Gutters Medium to large



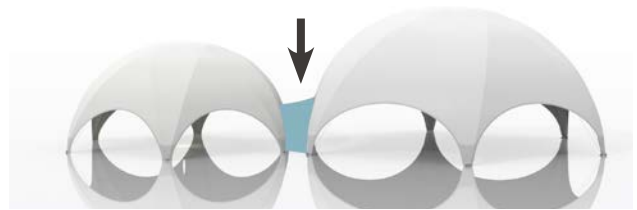
Connect Hexadome Medium with Crossover Large

Gutters Medium to medium



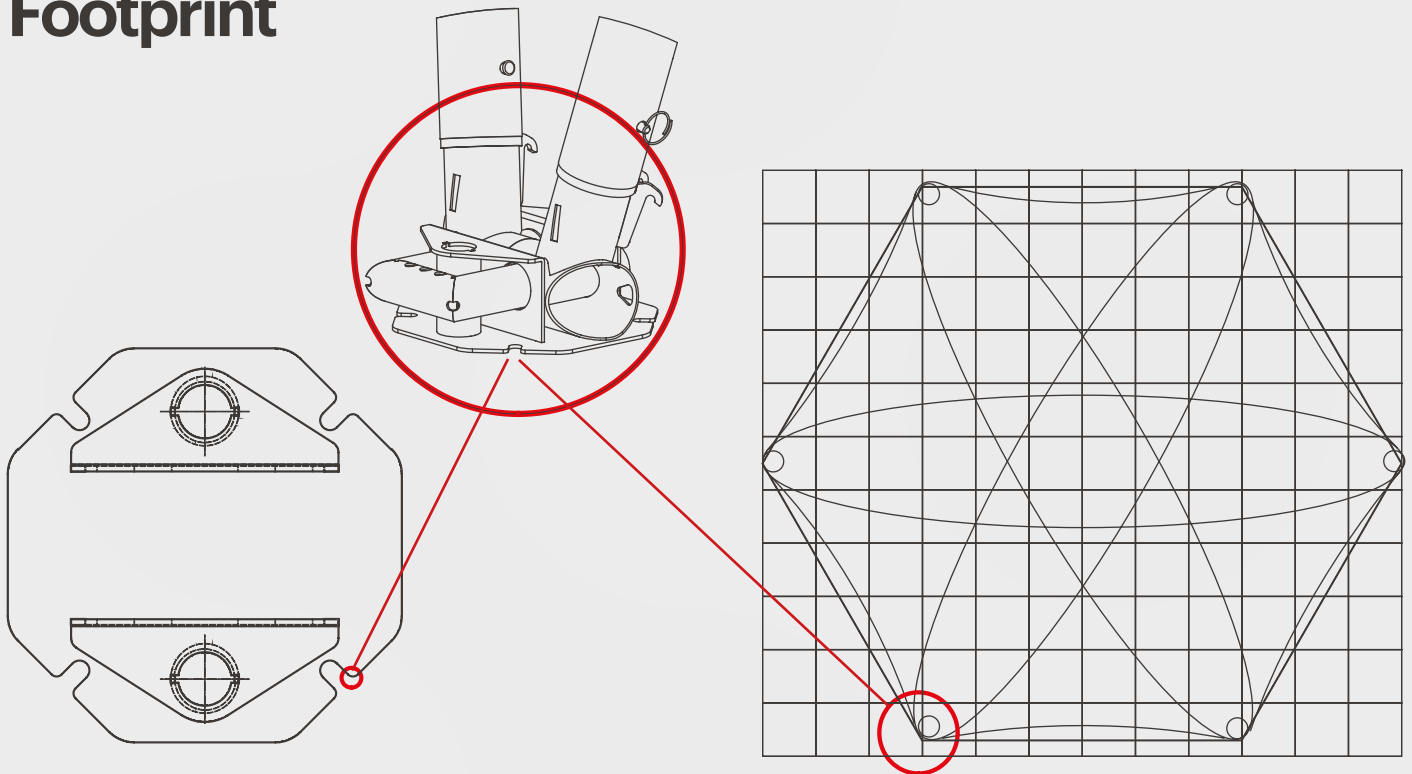
Connect Hexadome Medium with Hexadome Medium

Gutters Medium to Large



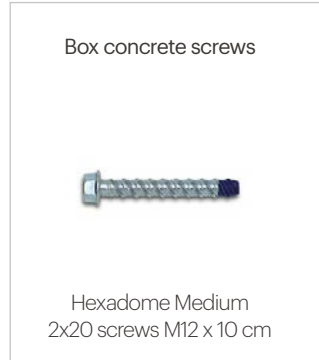
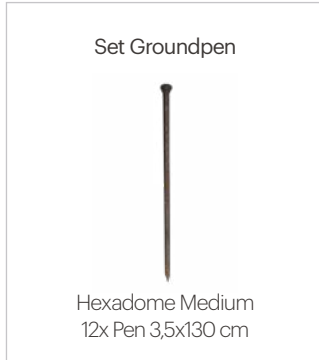
Connect Hexadome Medium with Hexadome Large

## Footprint



PRODUCTSHEET  
**HEXADOME Medium 100m<sup>2</sup>**

## Anchoring and Ballast



## Ballast Requirements

### Ballast requirements per peak wind velocity

	Max peak velocity according to European standards	Max peak velocity according to European standards	Max peak velocity according to European standards	Required ballast according to European standards
Hexadome Medium	101,9 km/u	28,3 m/s	55,0 knots	730 kg

### Ballast per peak wind velocity

	40 km/u	50 km/u	60 km/u	70 km/u	80 km/u	90 km/u	100 km/u
Ballast	112 kg	176 kg	253 kg	344 kg	450 kg	569 kg	703 kg

Numbers and weight per foot.

Based on: Peak wind velocity, measured on the highest point of the structure! All side panels closed! Ballast system used!