

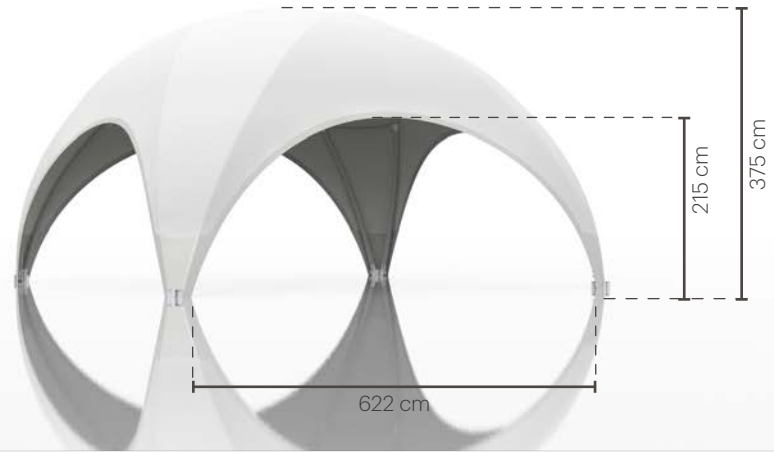
PRODUCTSHEET

CROSSOVER Medium 38m²

Structure dimensions

Length  622 cm

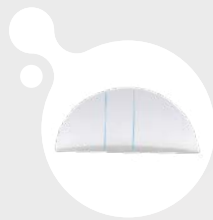
Width  622 cm



Side panels



Sidewall



Sidewall with door



Sidewall with window



Sidewall with window and door

Materials

STRUCTURE MATERIALS

Structure 6082T6 Alloy
Couplings Galvanized steel
Cables Stainless steel 316

COVER MATERIALS

Mehler Airtex® magic 350 grams/m²
California T19 M2/B1 certification
Cold resistance -20 °C
High temperature +70°C

Contours and corners are made of PVC

Ferrari Stam 6002 630 grams/m²
California T19 M2/B1 certification
Cold resistance -30°C
High temperature +70°C

Contours and corners are made of Ferrari Stam

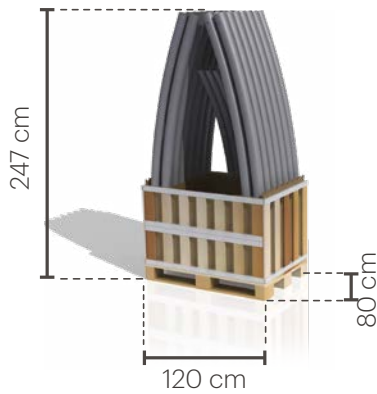


PRODUCTSHEET

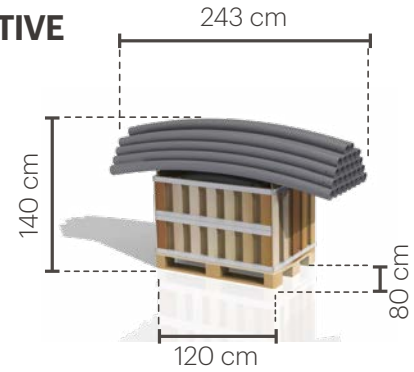
CROSSOVER Medium 38m²

Transport Dimensions & Weights

STANDARD
1 CRATE OF



ALTERNATIVE
1 CRATE OF



Structure packed standard (excl cover)
Structure packed alternative (excl cover)

120 x 80 x 247 cm
243 x 80 x 130 cm

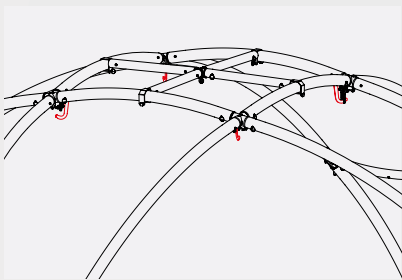
315,0 Kilo
315,0 Kilo

Cover in Airtex
Sidewall in Airtex
Sidewall with windows in Airtex
Connection gutter M in Airtex
Connection gutter M/L in Airtex
Ground pin
Ballast plate

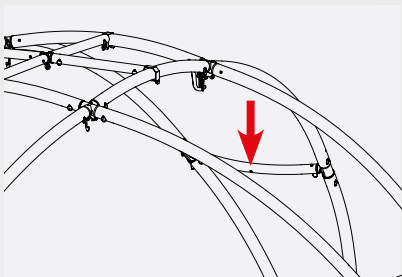
70 x 80 x 40 cm
60 x 40 x 10 cm
60 x 40 x 10 cm
30 x 45 x 10 cm
55 x 55 x 8 cm
100 x 3,5 Ø cm
100 x 100 x 9,5 cm

27,0 Kilo
5,2 Kilo
7,4 Kilo
2,4 Kilo
8 Kilo
7,6 Kilo
± 50,0 Kilo

Mounting



Mount up to 400 kilo in total by using the hooks



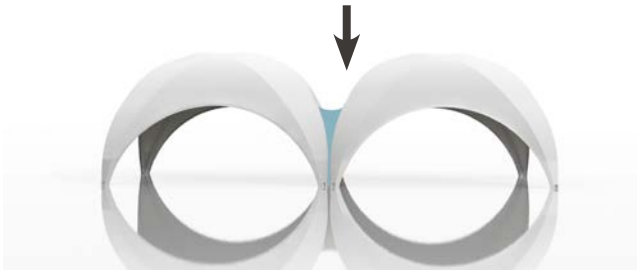
M10 screw insert in lower sub profile for mounting lights, music, tv and heating

PRODUCTSHEET

CROSSOVER Medium 38m²

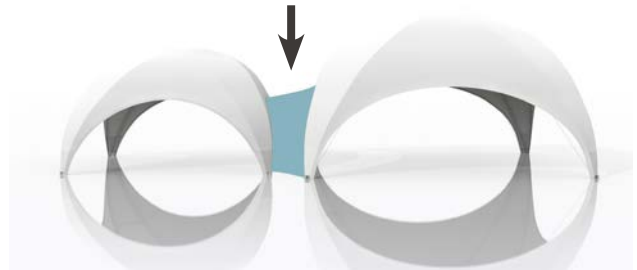
Gutters

Gutters Medium to Medium



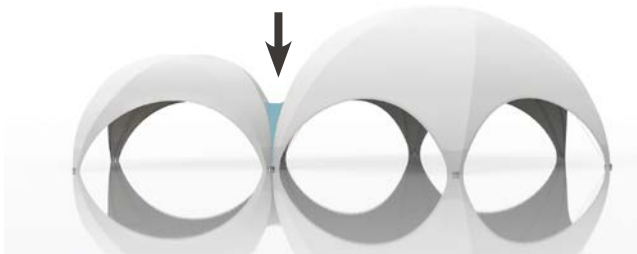
Connect Crossover Medium with Crossover Medium

Gutters Medium to Large



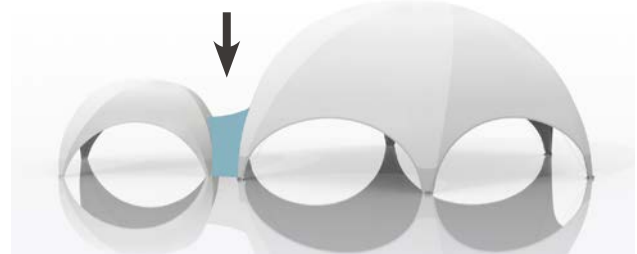
Connect Crossover Medium with Crossover Large

Gutters Large to Large



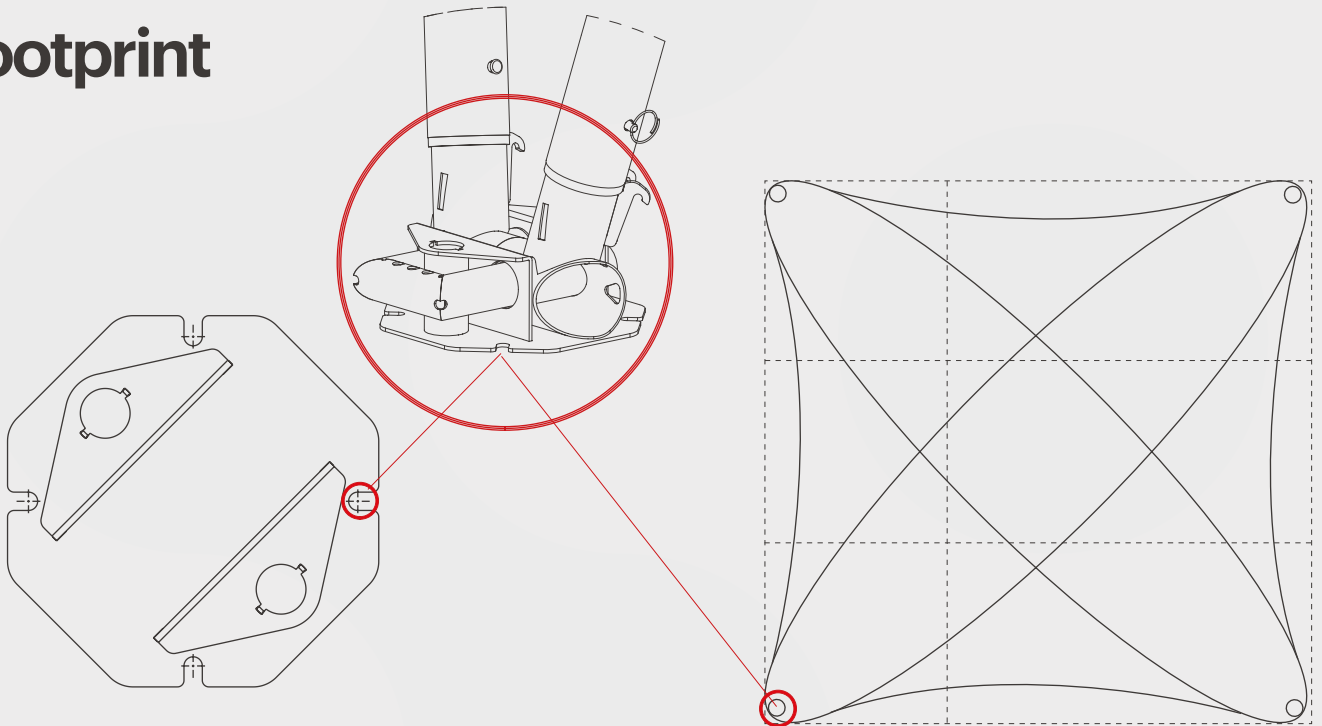
Connect Crossover Medium with Hexadome Medium

Gutters Large to Medium



Connect Crossover Medium with Hexadome Large

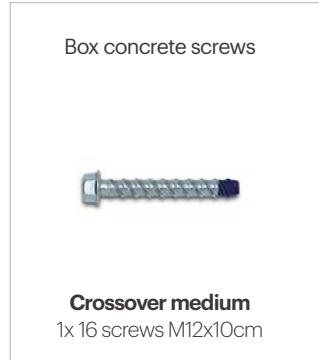
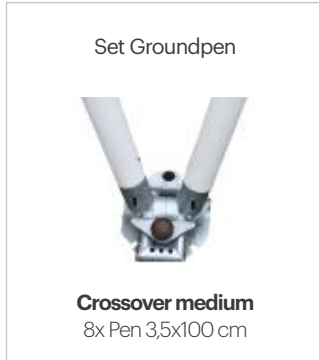
Footprint



PRODUCTSHEET

CROSSOVER Medium 38m²

Anchoring and Ballast



Ballast Requirements

Ballast requirements per peak wind velocity

	Max peak velocity according to European standards	Max peak velocity according to European standards	Max peak velocity according to European standards	Required ballast according to European standards
Crossover Medium	78,8 km/u	21,9 m/s	42,5 knots	285 kg

Ballast per peak wind velocity

	40 km/u	50 km/u	60 km/u	70 km/u	80 km/u	90 km/u	100 km/u
Ballast	73 kg	115 kg	165 kg	255 kg	294 kg	- kg	- kg

Numbers and weight per foot.

Based on: Peak wind velocity, measured on the highest point of the structure! All side panels closed! Ballast system used!