

AFM®/P SERIES Ø 520-960

AFM/P SERIES

Manufactured and calculated according to EN 13121-3.
 Material: Hand lay-up polyester with fiberglass (max quality polyester tech).
 Steel reinforced GRP vessel.
 All threaded connections are part of the structure of the filter in GRP.
 Closed legs & part of the filter structure.
 Top access.
 Design temperature 40°C.
 Nozzle plate.
 Top distributor according to the media/application.
 Tested 1.5 times design pressure

ADDITIONAL OPTIONS

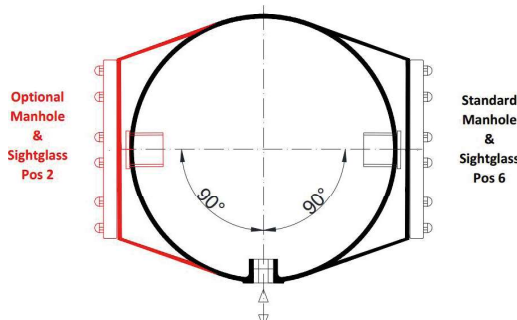
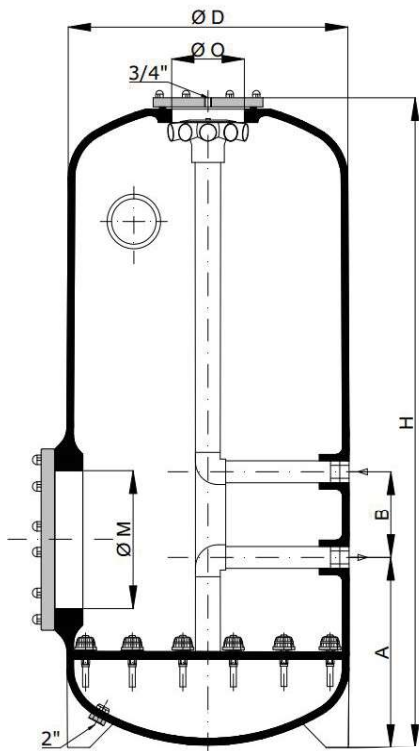
Higher temperatures.
 High-chemical resistance.
 Flange connections available
 Anchorage system to ground.
 Seismic calculations.
 Drinking water / Food contact.
 BESGO READY FILTERS



2 Orientation available:

WHY AFM/P SERIES?

AFM/P filter is the top quality filter among residential filters. Lateral access hole, sightglass, and the optimum performance of a nozzle plate. This filter includes all the best options and is simply the best.



Integrated GRP threads Transparent top lid 2.5 Kg/cm² Steel Top lid 5 / 7 kg/cm² Nozzle plate Nozzles Diffuser for Sand / AFM Sightglass Transparent side hatch 2.5 Kg/cm² Steel Side lid 5 / 7 kg/cm² Emptying plug



Design pressure: 2.5 / 5 / 7 bars								
ID	Ø D	H	O	M	A	B	I/O	Filt. Surface
AFM/P-520	520	1400	190	215	405	190	2"	0,20 m ²
AFM/P-640	640	1440	190	305	420	190	2"	0,30 m ²
AFM/P-720	720	1440	190	305	420	190	2"	0,40 m ²
AFM/P-840	840	1460	190	305	440	190	2"	0,52 m ²
AFM/P-960	960	1520	205	355	405	250	2 1/2"	0,70 m ²