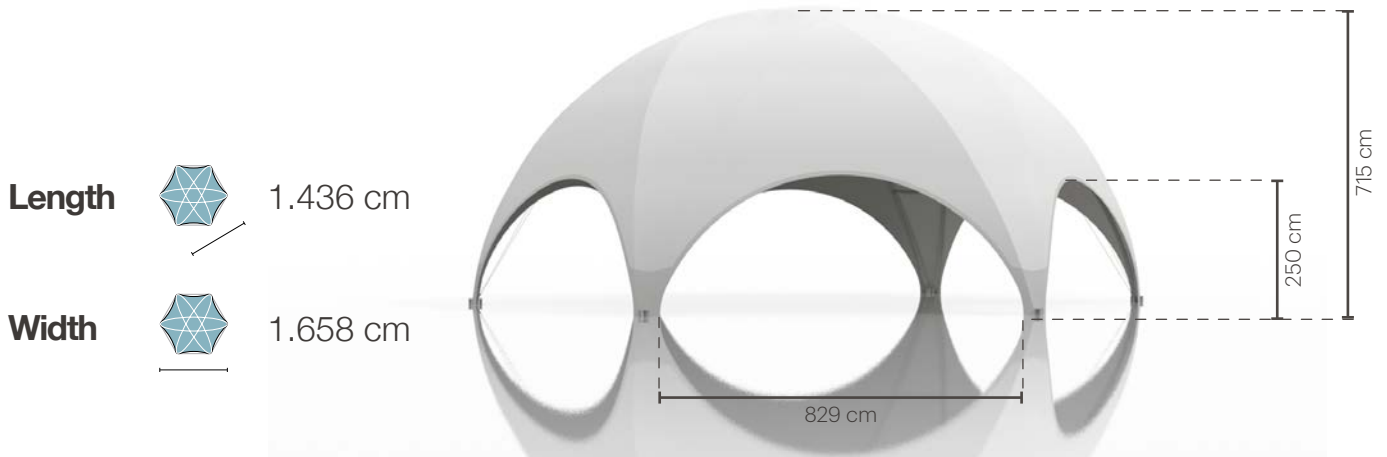


PRODUCTSHEET

HEXADOME Large 175m²

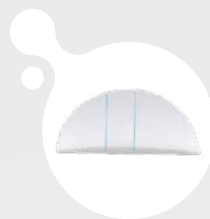
Structure dimensions



Side panels



Sidewall



Sidewall with door



Sidewall with window



Sidewall with window and door

Materials

STRUCTURE MATERIALS

Structure	6082T6 Alloy
Couplings	Galvanized steel
Cables	Stainless steel 316

COVER MATERIALS

Mehler Airtex® magic 350 grams/m²

California T19 M2/B1 certification
Cold resistance -20 °C
High temperature +70°C

Contours and corners are made of PVC

Ferrari Stam 6002 630 grams/m²

California T19 M2/B1 certification
Cold resistance -30°C
High temperature +70°C

Contours and corners are made of Ferrari Stam



PRODUCTSHEET

HEXADOME Large 175m²

Transport Dimensions & Weights

1x CRATES OF 120 x 100 x 222 cm

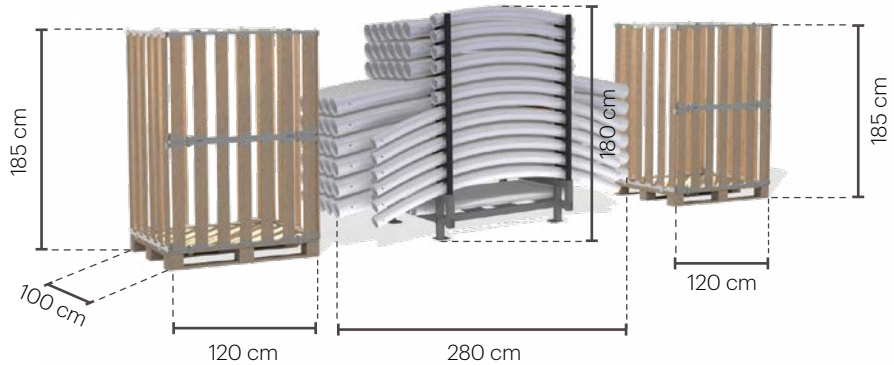
Weight
1.500 Kilo

1x METAL TRANSPORTBOX

Width
100 cm

Length
280 cm

Height
180 cm



Structure packed standard (excl cover)
1x transportbox

280 x 100 x 170 cm
120 x 100 x 222 cm

1.500,0 Kilo

Cover in Airtex

120 x 80 x 60 cm

123,5 Kilo

Sidewall in Airtex

60 x 60 x 10 cm

8,5 Kilo

Sidewall with windows in Airtex

70 x 60 x 10 cm

12,0 Kilo

Connection gutter M in Airtex

30 x 45 x 10 cm

2,4 Kilo

Connection gutter M/L in Airtex

55 x 55 x 8 cm

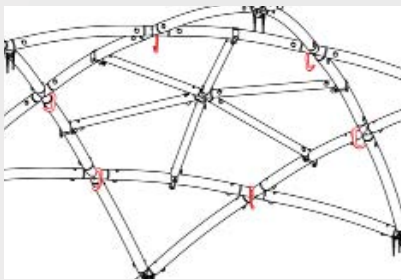
8 Kilo

Ground pin

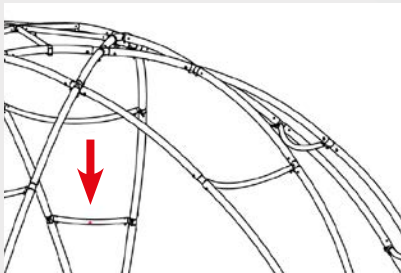
130 x 3,5 ø cm

10,0 Kilo

Mounting



Mount up to 1200 kilo in total by using the hooks



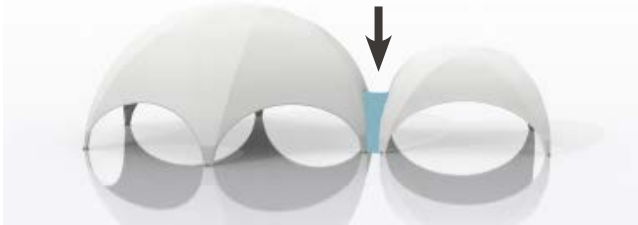
M10 screw insert in lower sub profile for mounting lights, music, tv and heating

PRODUCTSHEET

HEXADOME Large 175m²

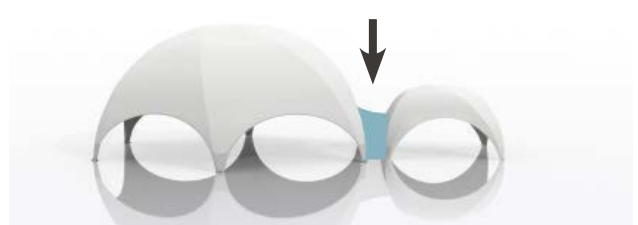
Gutters

Gutters Large to Large



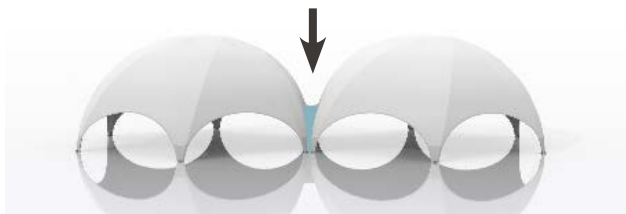
Connect Hexadome Large with Crossover Large

Gutters Large to Medium



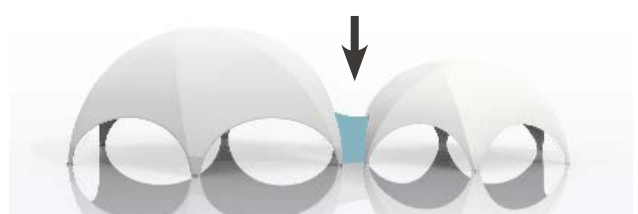
Connect Hexadome Large with Crossover Medium

Gutters Large to Large



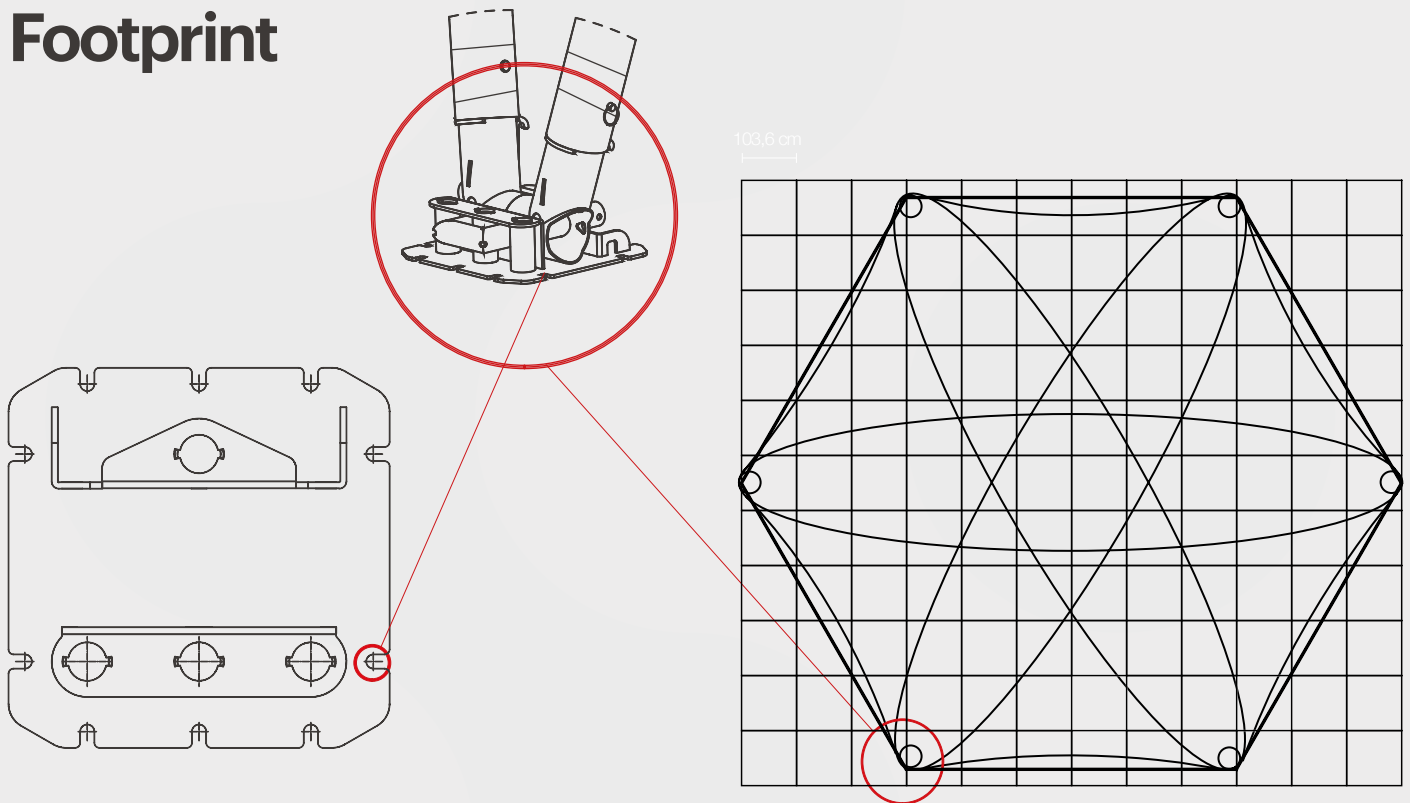
Connect Hexadome Large with Hexadome Large

Gutters Large to Medium



Connect Hexadome Large with Hexadome Medium

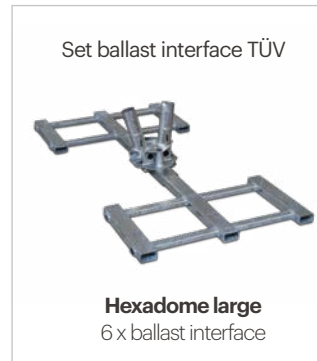
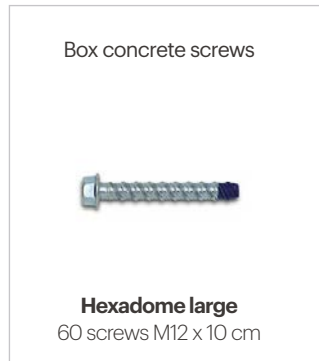
Footprint



PRODUCTSHEET

HEXADOME Large 175m²

Anchoring and Ballast



Ballast Requirements

Ballast requirements per peak wind velocity

	Max peak velocity according to European standards	Max peak velocity according to European standards	Max peak velocity according to European standards	Required ballast according to European standards
Hexadome Large	101,9 km/u	28,3 m/s	55,0 knots	1.500 kg

Ballast per peak wind velocity

	40 km/u	50 km/u	60 km/u	70 km/u	80 km/u	90 km/u	100 km/u
Ballast	231 kg	361 kg	520 kg	708 kg	925 kg	1170 kg	1445 kg

Numbers and weight per foot.

Based on: Peak wind velocity, measured on the highest point of the structure! All side panels closed! Ballast system used!